



Main Features

- Ultra-low light box camera
- Full HD1080P @30fps
- Micro SD card slot
- Support -20°C ~ 60°C/-4°F ~ 140°F
- Lens optional

ONVIF



Product Overview

NCb-221 is the first NexCam which particularly designed for the low light surveillance environment. It uses Sony 1/2" Exmor image sensor and focuses on the users who require the excellent performance under the low-light condition. The advantages of NCb-221 are the extremely high sensitivity, excellent image quality, beautiful color performance with low noises, hence, NCb-221 is the camera perfectly for city surveillance project.

1080P @ 30 fps

NCb-221 supports high-performance H.264/MJPEG compression technology and offers extra smooth video at up to 30fps in 1080p. Furthermore, Video ROI [Region Of Interest] function reduce bandwidth and storage requirement, providing users with the best option in bandwidth flexibility and storage efficiency.

Digital WDR (DWDR)

Digital Wide Dynamic Range is a feature in NCb-221 IP cameras that incorporates techniques for handling a wide range of lighting conditions in a scene which with extremely bright and dark areas, a typical camera would produce an image where objects in the dark areas would hardly be visible. Digital Wide Dynamic Range solves this by applying techniques such as using different exposures for different objects in a scene to enable objects in both bright and dark areas to be visible.

RICH I/O

NCb-221 Rich I/O allows the users to have the advantages when connecting essential external devices such as audio jack, micro SD cardslot, DC 12V & AC 24V in order to achieve the best performance for any critical environments. It also allows the users to use Digital Input and Digital output for the applications such as alarm system.

Specifications

Camera General Information

Image Sensor	Sony 1/1.9" image sensor
Minimum Illumination	B/W 0.005 lux/Color 0.05 lux
Lens	N/A
Field of View	N/A
Iris Type	N/A
Day and Night	YES (with ICR & Light sensor)
IR Distance	N/A
IR Wavelength	N/A
IR Control	N/A
ICR	YES
WDR	YES(DWDR)
Image Enhance	Brightness, Contrast, Saturation, Sharpness, Mirror, Flip, Day/Night, Anti-flicker,AWB

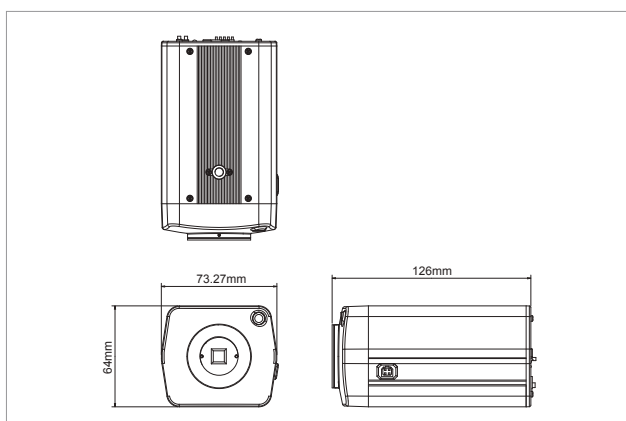
Video

Video Compression	H.264/M-JPEG
Video Streaming	Triple-streaming
Video Resolution	1920x1080 to 320x240
Video Quality	VBR/CBR
Frame Rate	1920x1080 @30 fps 1280x720 @30 fps 720x576 @30 fps 720x480 @30 fps 640x480 @30 fps 320x240 @30 fps

Audio

Audio Streaming	Two-way
Audio Compression	G.711 8KHz/16bit
Audio Input	Line-in
Audio Output	Line-out

Dimension Drawing



Network

Interface	10/100/1000 Mbps Ethernet, RJ-45
Supported Protocols	HTTP, TCP/IP, UDP, RTP, RTSP, FTP, SMTP, DHCP, DNS, DDNS, NTP, uPnP, ONVIF, IPv4/v6
Browser	Internet Explorer (support up to IE 10), Chrome, Firefox, Safari
Security	Multi-level passwords/HTTP encryption

I/O Connector

Audio in/out Port	3.5 mm phone jack x1
D I/O	DIX1, DOx1
RS485	N/A
Micro SD Card Slot	YES
RJ45	YES

Event Management

Event Trigger	Motion detection, DI
Notifications	Trigger alarm output, email/FTP and record video to PC or SD card
Post Recording	YES
Pre Recording	YES

Power

DC/AC	DC12V/AC 24V terminal block
POE	YES/IEEE 802.3af

General

Power Consumption	10W max.
Weight	470g
Dimension	126mm (D) x 73.27mm (W) x 64mm (H)
Operating Temp.	-20°C ~ 60°C/-4°F ~ 140°F
Humidity	90%RH (no condensation)
Certification	CE/FCC
Vandal Resistant	N/A
Weather Proof	with housing
Application	SDK available for application development

Packaging Information

NWT	470g
GWT	TBA
Dimension	TBA

Ordering Information

- ◆ NCB-221 (P/N: 10HB0022100X0)